



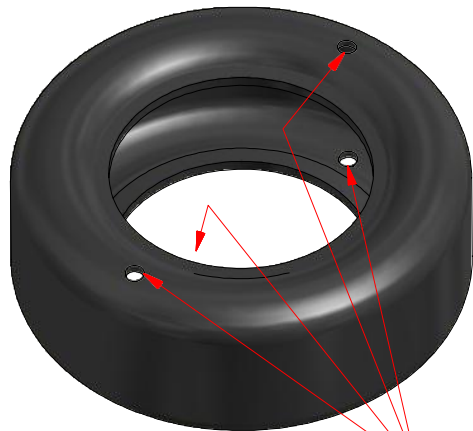
PLAN VIEW( 1:20 )

TYRES CAN BE STACKED AS HIGH AS REQUIRED

TWO TYRE WIDTH HIGH

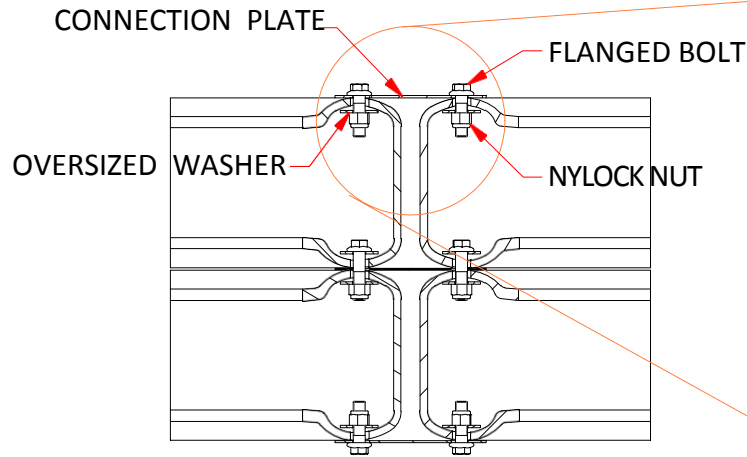


SIDE VIEW( 1:20 )

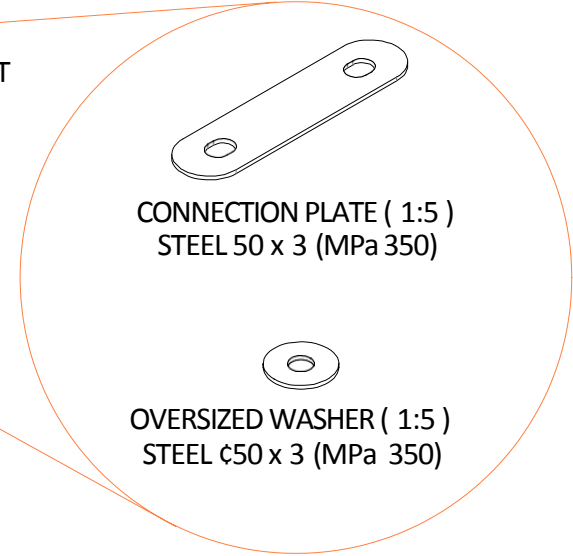


3D VIEW( 1:10 )  
TYRE ONLY

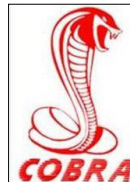
ALL HOLES PUNCHED WITH THE COBRA TYRE WALL PUNCH MACHINE




A-A ( 1:10 )



A	RELEASED	IMD	06/01/2016
1	ORIGINAL ISSUE	IMD	17/09/2015
REV	DESCRIPTION	INI.	DATE
REVISION HISTORY			



ALL DIMENSIONS IN MM			IF INDOUBT ASK	AS1100
Designed by IMD	Checked by KH	Approved by CH	Date 6/01/2016	Creation Date 17/05/2016
			<b>TYRE WALL CONSTRUCTION METHOD</b>	
			<b>120715-030</b>	
				Sheet 1 / 1